

## 产品特性

- 采用CREE XM-L2 (U2级) LED
- 最高1000流明超强亮度输出
- 采用晶亮电镀技术结合PDOT数字精确优化技术制造的最优化光学系统
- 最大光强13,500坎德拉
- 最远射程232米
- 长达520小时的最长续航时间
- 为战术应用设计的侧按调档按钮一键控制7种亮度和功能,方便快捷
- 侧按调档按钮内藏电量指示灯,可以提示电池剩余电量
- 电量指示灯可显示电池电压(精确到0.1V)
- 智慧型档位记忆功能(SOS和信标功能除外)
- 高效率恒流电路,亮度恒定
- 配备不锈钢镀钛抱夹
- 双面镀膜防刮光学镜片
- 航太级铝合金制造
- 耐磨的军规三级硬化表面处理
- 符合IPX8防水标准(水下2米)
- 1米防撞能力
- 尾部倒立功能

## 体积

长度:	139mm
头部直径:	25.4mm
尾部直径:	25.4mm
重量:	88克(不含电池)

## 配件

优质电筒套,抱夹,战术胶环,手绳,备用胶帽,备用防水O圈

## 选用电池

	尺寸规格	标称电压	是否可用
18650锂电充电电池	18650	3.7V	是(推荐使用)
一次性锂金属电池	CR123	3V	是(推荐使用)
可充电锂离子电池	RCR123	3.7V	是(可以使用)

## 亮度&时间

FL1 STANDARD	高亮	中亮	低亮	极低亮	爆闪	SOS	信标
	1000流明	240流明	70流明	1流明	1000流明	1000流明	1000流明
	1小时 15分钟	6小时	28小时	520小时	—	—	—
	232米	90米	34米	6米	—	—	—
	13500坎德拉	2000坎德拉	300坎德拉	10坎德拉	—	—	—
	1米(防跌落高度)						
	IPX8, 水下2米(防水等级)						

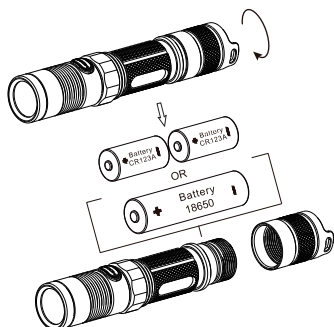
### 注:

以上数据按照国际手电筒测量标准ANSI/NEMA FL1所述之测量方法,使用电池为:1节18650锂电池(3.7V 2600mAh)测量所得,不同电池或使用环境可能会对以上数据产生影响。

## 使用电筒

### 装入/拆卸电池

如图所示,拧开电池盖后,装入/拆卸电池并拧紧电池盖。



### 警告

1. 请将电池按照正极朝灯头方向放入,反装电池电筒将不能工作。
2. 不能将光线直接照射眼睛,以免对眼睛造成伤害。

## 战术点亮

轻按尾部开关,电筒会开启,松手电筒熄灭。

## 长时间开启/关闭手电筒

**开启手电筒:**按下尾部按钮开关,直到有“嗒”的一声后松手,手电筒开启。

**关闭手电筒:**再次按下尾部按钮开关,直到有“嗒”的一声后松手,手电筒关闭。

## 亮度调节

在电筒开启状态下,每按一次调档按钮,电筒亮度将按照“超低亮-低亮-中亮-高亮”循环改变亮度。

**注:**电筒会在开启高亮档3分钟后自动降低亮度输出以防止过热,并有效地保障电池的使用寿命。

## 使用特殊档位(暴闪/SOS功能/信标)

在电筒开启状态下,长按调档按钮超过一秒,电筒将会开启暴闪,如果需要选择更多的特殊档位,只需要长按调档按钮超过一秒即可在“SOS功能-信标-暴闪”顺序切换。如果需要退出特殊档位并恢复当前亮度,只需按一下调档按钮。

**注:**P12具有自动记忆功能,再次激活电筒将自动进入已选亮度或档位。(SOS和信标功能除外)。

## 电量提示

1. 当手电筒开启,并且电池电量剩余将近一半时,位于调档按钮的蓝色电量指示灯将每2秒闪烁1次提示用户;  
当手电筒开启,并且电池电量将近耗尽时,位于调档按钮的蓝色电量指示灯将连续快速闪烁提示用户。
2. 在手电筒关闭的状态下,按着调档按钮并保持不放,同时按下尾部按钮开关,蓝色电量指示灯将以闪烁来表示出电池电压(精确到±0.1V)。例如,电池电压为4.2V时,指示灯将闪烁4次,停顿一秒后再闪烁2次来表示4.2V。显示电池电压完成后,电筒随即进入当前记忆的亮度和功能。

## 更换电池

当电池电量不足,位于调档按钮的蓝色电量指示灯将连续快速闪烁,电筒甚至会出现亮度变暗或者无法调光的情况。此时,应对电筒进行更换电池。

## 保养电筒

请每半年使用软布清洁电筒的螺牙,并使用硅润滑油润滑螺牙。

## 注意事项

请根据适用的当地法律和法规处置设备/电池。

## 保固

NITECORE®产品拥有售后保固服务。在购买本产品的15天内,如果有任何质量问题均可向经销商要求免费更换。在购买本产品的60个月内享受免费保固服务。在超过60个月免费保固期后,本产品享有终身有限度保固服务,如需要更换重要部件则需收取成本费用。

本保固规则不适用于以下情况:

1. 人为破坏,拆解,改装本产品。
2. 错误操作导致产品损坏(如装反电池等)。
3. 电池漏液导致产品损坏。

如对奈特科尔产品有任何疑问,欢迎联系当地的代理商或发邮件到4008869828@nitecore.cn

※本说明书的所有图片、陈述及文字信息仅供参考,请以官网www.nitecore.cn实际信息为准。广州希脉创新科技有限公司拥有对说明书内容的最终解释权 and 修改权。

更多信息请关注新浪微博:  
NITECORE奈特科尔

广州希脉创新科技有限公司

咨询热线:+86-20-83862000

销售邮箱:info@nitecore.com

网址:www.nitecore.cn

地址:广东省广州市天河区高普路1021号5楼6355号

邮编:510653



P3011222

## Features

- Premium CREE XM-L2 (U2) LED
- Maximum output of 1000 lumens
- Second generation 'Crystal Coating Technology' combined with 'Precision Digital Optics Technology' provide extreme reflector performance
- Boasts a peak beam intensity of 13,500cd and a throw distance of up to 232 meters
- High efficiency circuit board provides up to 520 hours runtime on low
- Side switch interface provides one-handed operation and easy access to all functions
- Side switch features an indicator light which displays remaining battery power
- Power indicator's secondary function displays battery voltage (accurate to 0.1V)
- Intelligent memory function stores preferred brightness setting
- High-efficiency regulation circuit provides unwavering output
- Toughened ultra-clear mineral glass with anti-reflective coating
- Constructed from aero grade aluminium alloy with HAIII military grade hard-anodized finish
- Waterproof in accordance with IPX8 (two meters submersible)
- Impact resistant to 1 meter
- Stainless steel titanium-plated clip included
- Tail stand capability

## Dimensions

Length: 139mm (5.47")  
 Head Diameter: 25.4mm (1")  
 Tail Diameter: 25.4mm (1")  
 Weight: 88grams (3.10oz)(without battery)

## Accessories

Quality holster, clip, tactical ring, lanyard, spare tail cap, spare O-ring

## Battery Options

	SIZE	Nominal voltage	Compatible
Primary Lithium battery	CR123	3V	Y (Recommended)
18650 Rechargeable Li-ion battery	18650	3.7V	Y (Recommended)
Rechargeable Li-ion battery	RCR123	3.7V	Y

## Brightness & Runtime

FL1 STANDARD	HIGH	MID	LOW	LOWER	STROBE	SOS	LOCATION BEACON
	1000 LUMENS	240 LUMENS	70 LUMENS	1 LUMEN	1000 LUMENS	1000 LUMENS	1000 LUMENS
	1h15min	6h	28h	520h	—	—	—
	232m	90m	34m	6m	—	—	—
	13500cd	2000cd	300cd	10cd	—	—	—
	1m (Impact Resistant)						
	IPX8, 2m (Waterproof AND Submersible)						

### NOTICE

The above data has been measured in accordance with the international flashlight testing standards ANSI/NEMA FL1 using one x 3.7V 2600mAh 18650 battery under laboratory conditions. The data may vary slightly during real-world use due to battery type, individual usage habits and environmental factors.

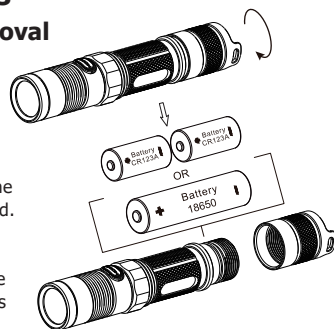
## Operation instructions

### Battery Installation / Removal

As illustrated, after unscrewing the battery cap, insert / remove the battery(s) and screw to tighten the tail cap.

### WARNING

1. Ensure batteries are inserted with the positive (+) end pointing to the head. The P12 will not operate with incorrectly inserted batteries.
2. Ensure when turning the P12 on, the beam is directed away from the eyes of people or animals.



### Momentary illumination

Momentary illumination mode is accessed by half pressing and holding the tail switch with flashlight turned off. Simply release the switch to turn the light off again.

## Switching ON/OFF

**To switch ON:** Press the button on the tailcap until a "click" is heard.

**To switch OFF:** Press the button on the tailcap a second time until a "click" is heard.

## General Operations

With the light turned on, press the side switch in quick succession to cycle through the following brightness levels: ultra-low, low, medium and high. Once a desired setting is displayed, it may be saved by turning the light off at the tail switch.

**Note:** For user safety and to prevent overheating / failure, the P12 will automatically switch to a lower mode after three minutes of use at its highest level of output.

## Special Modes

With the light turned on, press and hold the side switch to activate Strobe mode. Press and hold once again to access Location Beacon mode and repeat once more for SOS mode. To exit any one of these modes simply press the side switch to be returned to your previously used brightness level.

NB: Strobe mode is the default special mode and is the only special mode that has a memory function. If the light is turned off at the tail switch while in strobe mode, strobe will resume when the light is next turned on. SOS and Location Beacon modes have no memory function.

## Power Tips

1. With the light switched on, the power indicator will blink once every two seconds when power levels reach 50%.
2. With the light switched on, the power indicator will blink rapidly when power levels are low.
3. With the light turned off, press and hold the side switch while simultaneously pressing the tail switch to display the battery voltage (accurate to ±0.1V) with a series of blinks. For example, when the battery voltage is at a maximum charge of 4.2V, the power indicator will blink 4 times in quick succession, followed by a one second pause and two more blinks, indicating a total battery voltage of 4.2V.

## Changing Batteries

When the power indicator blinks rapidly this indicates the batteries need to be replaced. Alternatively if the light becomes dim or unresponsive to adjustment this also indicates batteries need to be replaced.

## Maintenance

Every 6 months, threads should be wiped with a clean cloth followed by a thin coating of silicon-based lubricant.

## Warnings

Dispose of the device/batteries in accordance with applicable local laws and regulations.

## Warranty Service

All NITECORE® products are warranted for quality. Any defective / malfunctioning NITECORE® product can be repaired free of charge for a period of 60 months (5 years) from the date of purchase. Beyond 60 months (5 years), a limited warranty applies, covering the cost of labor and maintenance, but not the cost of accessories or replacement parts.

The warranty is nullified in all of the following situations:

1. The product(s) is/are broken down, reconstructed and/or modified by unauthorized parties.
2. The product(s) is/are damaged through improper use.
3. The product(s) is/are damaged by leakage of batteries.

For the latest information on NITECORE® products and services, please contact a local NITECORE® distributor or send an email to [service@nitecore.com](mailto:service@nitecore.com)

※All images, text and statements specified herein this user manual are for reference purpose only. Should any discrepancy occurs between this manual and information specified on [www.nitecore.com](http://www.nitecore.com), information on our official website shall prevail. SYSMAX Innovations Co., Ltd. reserves the rights to interpret and amend the content of this document at any time without prior notice.

### SYSMAX Innovations Co., Ltd.

TEL: +86-20-83862000  
 FAX: +86-20-83882723  
 E-mail: [info@nitecore.com](mailto:info@nitecore.com)  
 Web: [www.nitecore.com](http://www.nitecore.com)

Address: Rm 2601-06, Central Tower, No.5 Xiancun Road, Tianhe District, Guangzhou, 510623, Guangdong, China

